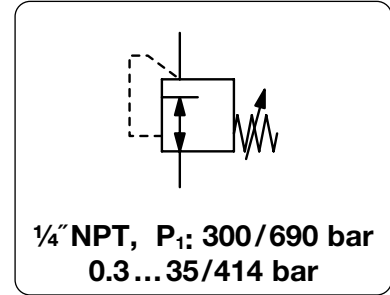


<b>Description</b>	Piston-operated high pressure regulator HP300 / HP400 are marked by high flow and great reliability.	
<b>Media</b>	compressed air, non-corrosive gases or liquids	
<b>Supply pressure</b>	max. 690 bar at HP300, max. 414 bar at HP400	
<b>Accuracy</b>	at supply pressure variation of 7 bar: < 5 mbar pressure deviation at HP300, < 250 mbar pressure deviation at HP400	
<b>Adjustment</b>	by black plastic knob	
<b>Relieving function</b>	non-relieving, optionally relieving	
<b>Mounting position</b>	any	
<b>Temperature range</b>	-5 °C to 75 °C / 23 °F to 167 °F for HP300 -25 °C to 75 °C / -13 °F to 167 °F for HP400	
<b>Material</b>	Body:	brass, optionally stainless steel (spring cage brass), stainless steel completely on request
	Seals:	NBR at HP300 (relieving), FKM at HP300 (non-relieving) / HP400
	Spring cage:	brass at HP300, nickel-plated at HP400
	Valve seat:	Vespel at HP300 / HP400 (relieving), Teflon PFA at HP400 (non-relieving)
	Inner valve:	stainless steel
	<b>Leakage rate</b>	< 10 <sup>-4</sup> mbar l/s He
	<b>Gauge port</b>	1/4" NPT for inlet / outlet pressure, shifted by 70°



Dimensions			K <sub>v</sub> -value (m <sup>3</sup> /h)	Flow rate		Connection thread NPT	Pressure range bar	Order number	D*
A	B	C		m <sup>3</sup> /h*1	l/min*1				

High pressure regulator 414 bar							non-relieving, brass	HP300		
55	175	19	0.05	90	1500	1/4" NPT	0.3 ... 35	HP300-035		
							0.6 ... 55	HP300-055		
							0.7 ... 104	HP300-105		
							1.0 ... 172	HP300-175		
							1.7 ... 276	HP300-280		
							3.4 ... 414	HP300-415		



High pressure regulator 414 bar							non-relieving, brass	HP400		
50	137	13	0.05	90	1500	1/4" NPT	0.7 ... 104	HP400-104		
							1.0 ... 172	HP400-170		

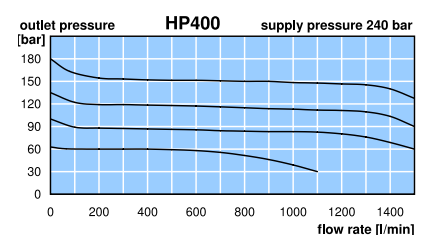
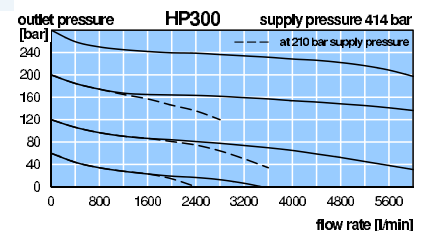
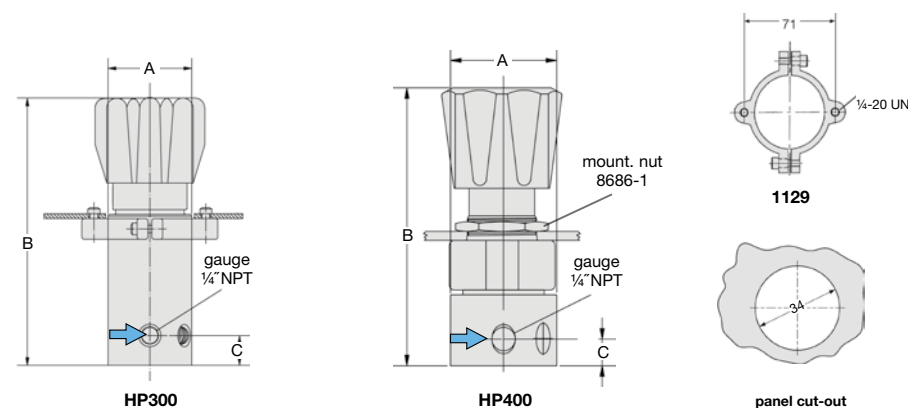


## Special options, add the appropriate letter

<b>relieving</b>				HP300-...R
				HP400-...R
<b>body made of SST</b>		(690 bar)		HP300-...S
		(414 bar)		HP400-...S
<b>for oxygen</b>	specialy cleaned,	P <sub>1</sub> < 300 bar	for HP300/400	HP.00-...15
<b>for liquids</b>	w/o filter at inlet, valve seat of Nylatron		for HP300	HP300-...W
	w/o filter at inlet, valve seat of Vespel		for HP400	HP400-...W
<b>brass pressure gauge</b>	for brass body, inlet side			HP.00-...HM
	for brass body, outlet side			HP.00-...GM
<b>SST pressure gauge</b>	for stainless steel body, inlet side			HP.00-...H
	for stainless steel body, outlet side			HP.00-...G

## Accessories, enclosed

<b>set of mounting brackets</b>	aluminium	for HP300	<b>1129</b>
<b>mounting nut</b>	for panel mounting, made of stainless steel	for HP400	<b>8686-1</b>



\*1 at 240 bar supply pressure and 30 bar outlet pressure

\* Product group